

Extruded Aluminum Louver • 6" Deep • 35° Drainable Blades • Concealed Actuator • Combination Adjustable

Standard Construction and Materials

FRAME: .081" thk. (nominal) extruded aluminum, 6063-T52/T6 alloy. Channel type.

BLADES: Stationary blades are made from .081" thk. (nominal) extruded aluminum 6063-T52/T6 alloy. Adjustable Blades are made from .125" thk. (nominal) extruded aluminum 6063-T52/T6 alloy. Blades are approximately 4½" on centers.

LOUVER FACE: Full width sill with head and blades contained within jambs.

SHAFT: .50" dia. aluminum "Pin-Lock" rod.

LINKAGE: Extruded aluminum, concealed in the channel out of the airstream. The pivots, which rotate in Celcon bearings, are .50" dia. plated and machined steel. The pivot is locked to the 5/16" dia. aluminum linkage rod by a ¼ - 20 set screw with epoxy locking patch.

SEALS: Extruded silicone rubber seals at blade edge. Foam on bottom blade. Stainless steel at jambs.

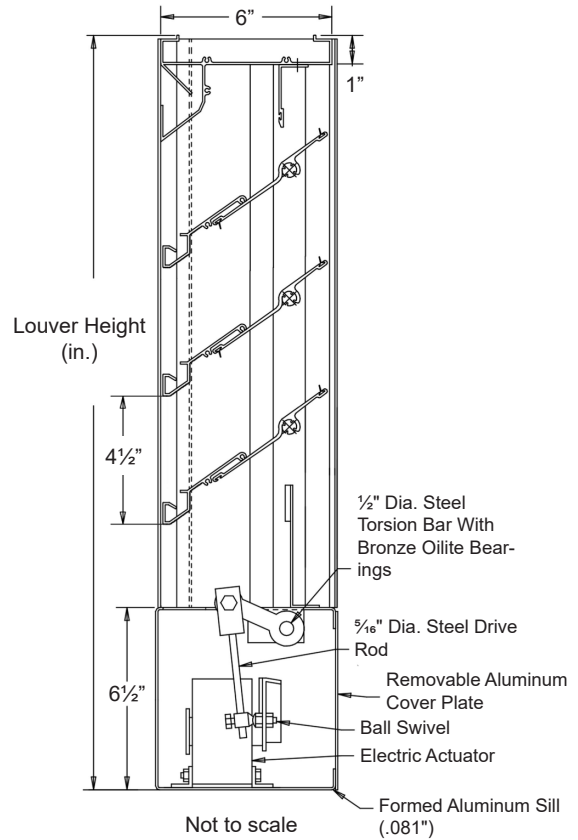
SCREEN: (When indicated, in a removable frame) ½" flattened aluminum, .051" thk.,

-or- Insect screen 19/16 aluminum mesh, .011" dia.,

-or- ½" sq. mesh intermediate double crimped aluminum wire, .063" dia.

FINISH: Mill.

ACTUATOR: 120 VAC spring return normally closed. 133 in-lbs. torque.



Options

Finishes - Enamels, Epoxies, etc.

Other screens available.

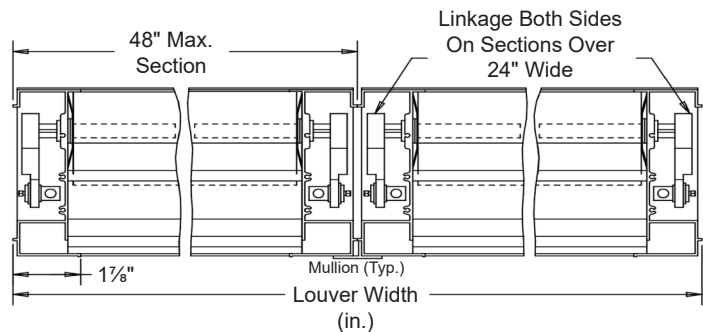
Actuators - Electric, Pneumatic, Manual, etc.

Notes

1. Nominal deductions will be made to the opening size given.
2. Approximate shipping weight is 5.7 lbs./sq.ft.

Louver Sizes

Min Panel	Max Single Panel
12"W x 19"H	48"W x 96"H



Item #	Qty	Width	Height	Width	Height	Mullion	Type	Location	Screens		
Arch. / Eng.:		Opening Size		Louver Size		EDR:	ECN:		Job:		
Contractor:											
Project:						Date:	DWN:	DWG:			

In the interest of product development, Cesco Products reserves the right to make changes without notice.



450 Riverside Dr • Wyalusing PA, 18853
 Phone: 570-746-1888 • Fax: 570-746-9286
 www.cescoproducts.com